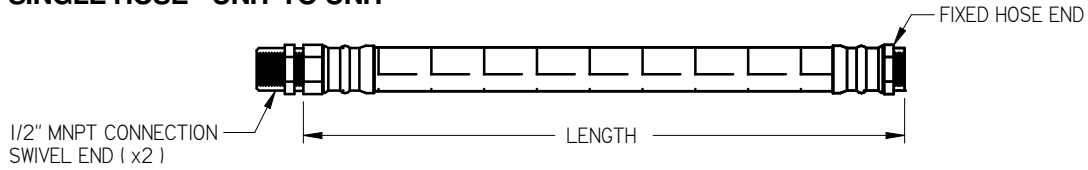


RADKIT: HOSE AND VALVE PACKAGES

NOTE:
 WATER COILS SHOULD BE ORDERED WITH FNPT 1/2" FITTINGS, OTHERWISE ADAPTERS
 (BY OTHERS) ARE REQUIRED

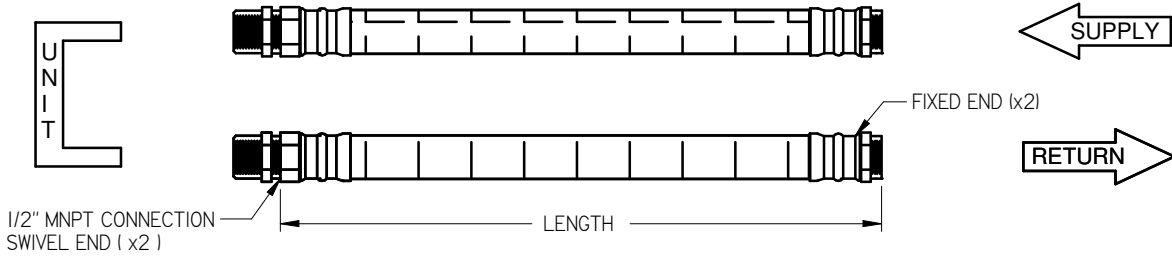
SH: SINGLE HOSE - UNIT TO UNIT



- CONSTRUCTION:**
- BRAIDED STAINLESS STEEL
 - 1/2" NPT (MALE) HOSE CONNECTION

- LENGTH:**
- 12"
 - 18"
 - 24"
 - 36"

DH: DOUBLE HOSE - UNIT TO HEADER



- CONSTRUCTION:**
- BRAIDED STAINLESS STEEL
 - 1/2" NPT (MALE) HOSE CONNECTION

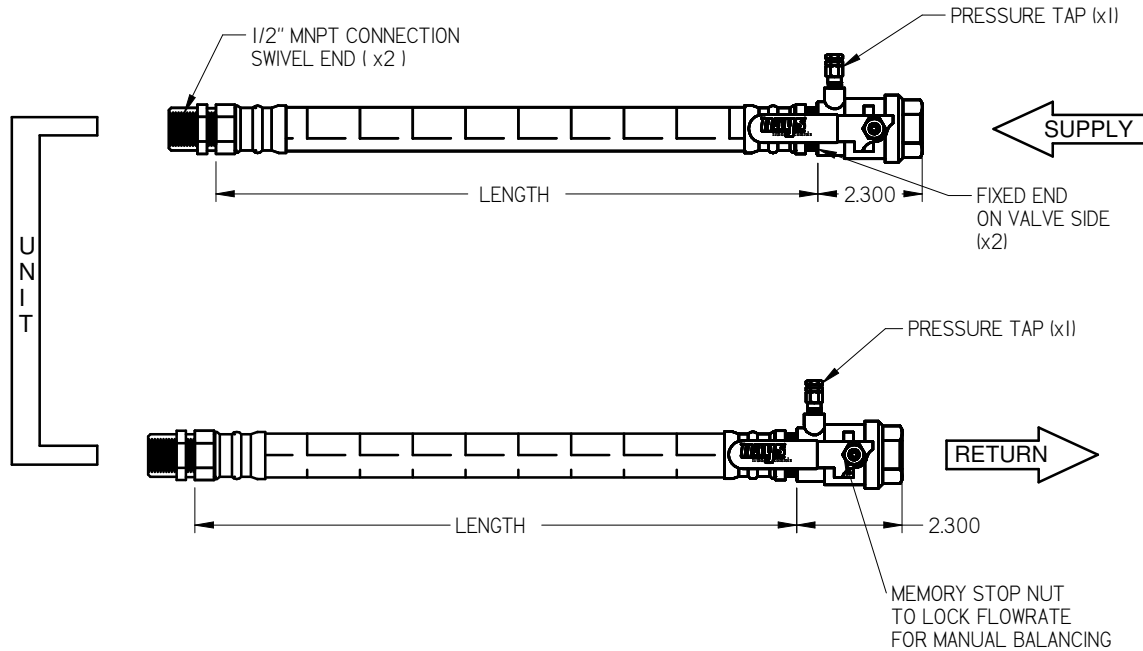
- LENGTH:**
- 12"
 - 18"
 - 24"
 - 36"

NOTE:
 HOSE KITS ARE PRESSURE TESTED AND SHIPPED LOOSE FOR FIELD INSTALL BY OTHERS.
 ALL METRIC DIMENSIONS () ARE SOFT CONVERTED. IMPERIAL DIMENSIONS ARE CONVERTED TO METRIC AND ROUNDED TO THE NEAREST MILLIMETER.

PROJECT:		PRICE	
ENGINEER:		DS	RADIANT RADKIT HOSE AND VALVE PACKAGES
CUSTOMER:		248924	
SUBMITTAL DATE:	SPEC. SYMBOL:	2012/10/18	

RADKIT: HOSE AND VALVE PACKAGES

DHSO: DOUBLE HOSE W/ SHUT OFFS - UNIT TO HEADER



LENGTH:

- 12"
- 18"
- 24"
- 36"

VALVE BODY CONNECTION:

- 1/2" SWEAT
- 1/2" FNPT

CONSTRUCTION:

- BRAIDED STAINLESS STEEL
- SHUT OFF VALVES
- 1/2" VALVE BODY
- SWIVEL CONNECTION TO UNIT/COIL
- 1/2" FNPT VALVE CONNECTIONS TO TRUNK/HEADER

NOTES:

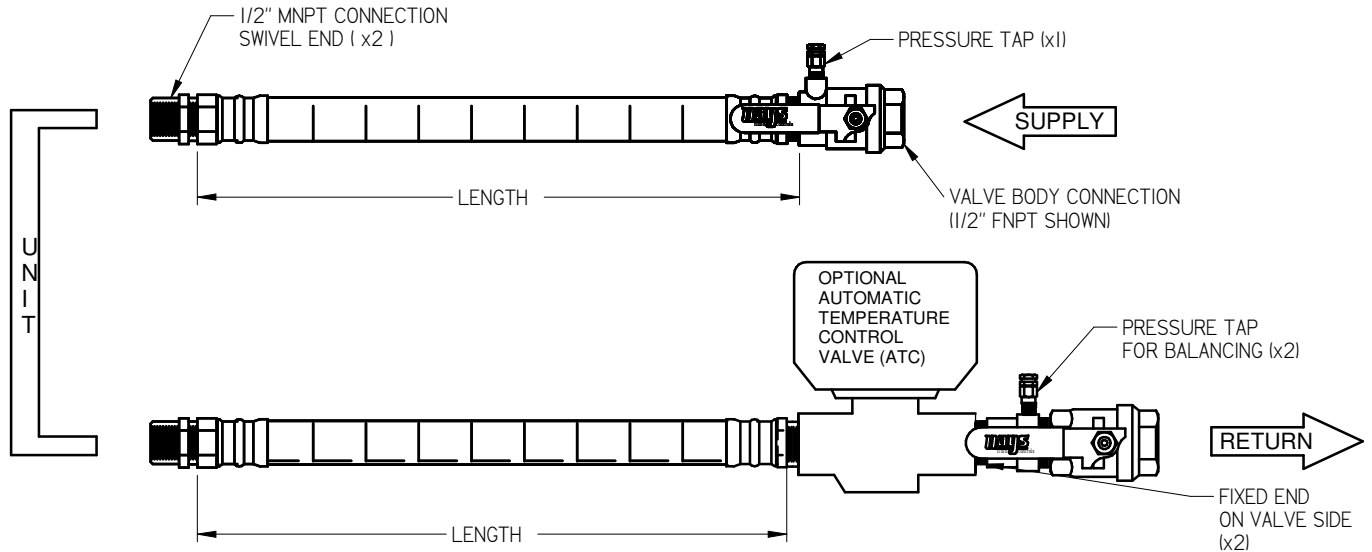
- ON/OFF ACTUATOR CONTROL ARE SPRING RETURN EQUIPPED.
- COIL CONNECTIONS ARE FEMALE SWEAT, TRUNK CONNECTIONS ARE FEMALE NPT.
- BASIC PACKAGES SHIPPED AS SEPERATE COMPONENTS FOR FIELD ASSEMBLY AND INSTALLATION BY OTHERS.
- HOSE KITS ARE PRESSURE TESTED AND SHIPPED LOOSE FOR FIELD INSTALL BY OTHERS.

ALL METRIC DIMENSIONS () ARE SOFT CONVERTED. IMPERIAL DIMENSIONS ARE CONVERTED TO METRIC AND ROUNDED TO THE NEAREST MILLIMETER.

PROJECT:		PRICE	
ENGINEER:		DS	RADIANT RADKIT HOSE AND VALVE PACKAGES
CUSTOMER:		248924	
SUBMITTAL DATE:	SPEC. SYMBOL:	2012/10/18	

RADKIT: HOSE AND VALVE PACKAGES

DHMB: DOUBLE HOSE W/ SHUT OFFS AND MANUAL BALANCER - UNIT TO HEADER



- ACTUATOR CONTROL (ATC):**
- ON/OFF @ 024 VOLT (024V)
 - ON/OFF @ 120 VOLT (120V)
 - ON/OFF @ 208 VOLT (208V)
 - ON/OFF @ 230 VOLT (230V)
 - ON/OFF @ 277 VOLT (277V)
 - FLOATING POINT (FLP)
 - MODULATING (MOD)
 - NONE

- LENGTH:**
- 12"
 - 18"
 - 24"
 - 36"

- CV SELECTION (GPM @ 1 PSI):**
- 0.23
 - 0.46
 - 0.87
 - 1.80
 - 3.30
 - 5.40

- VALVE BODY CONNECTION:**
- 1/2" SWEAT
 - 1/2" FNPT

CONSTRUCTION:

- BRAIDED STAINLESS STEEL
- SHUT OFF VALVES
- 1/2" VALVE BODY
- SWIVEL CONNECTION TO UNIT/COIL
- 1/2" FNPT VALVE CONNECTIONS TO TRUNK/HEADER
- PRESSURE TAPS

NOTES:

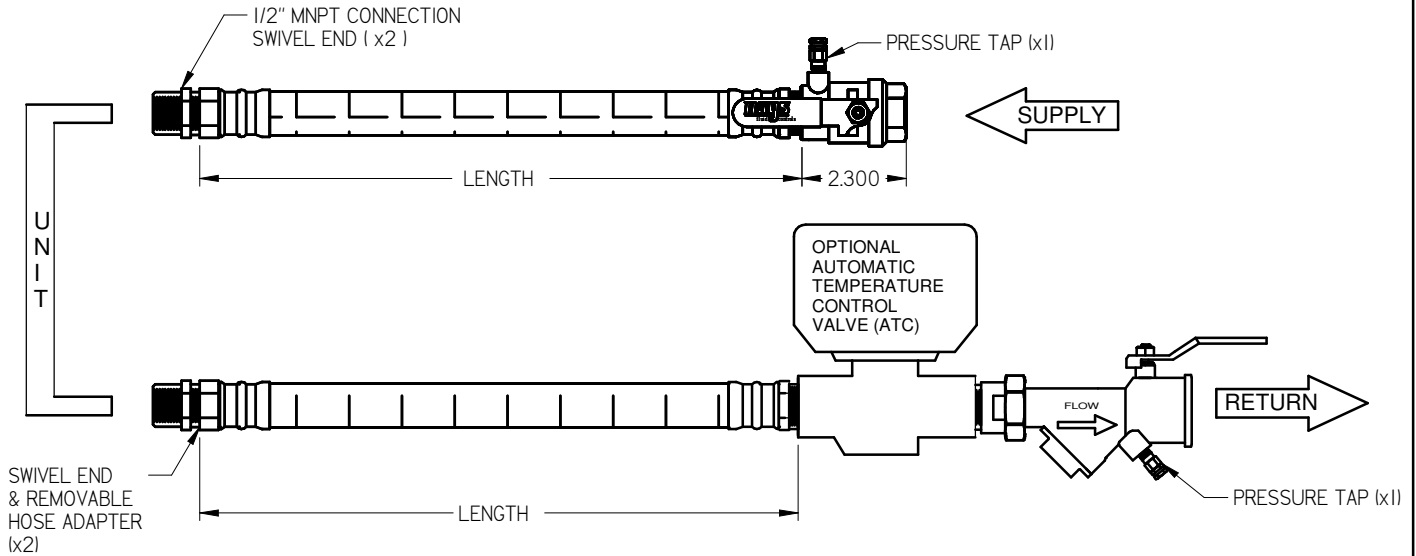
- ON/OFF ACTUATOR CONTROL ARE SPRING RETURN EQUIPPED.
- COIL CONNECTIONS ARE FEMALE SWEAT, TRUNK CONNECTIONS ARE FEMALE NPT.
- ALL VALVES ARE NORMALLY CLOSED (NC), PLEASE CONTACT FACTORY IF NORMALLY OPEN (NO) IS REQUIRED
- CV MUST BE SELECTED ON PACKAGES AS CLOSE TO YOUR DESIGN GPM TO ENSURE PROPER CV ON BALANCING VALVE IS RECEIVED
- BASIC PACKAGES SHIPPED AS SEPERATE COMPONENTS FOR FIELD ASSEMBLY AND INSTALLATION BY OTHERS
- ATC IS SIEMENS STANDARD, HOWEVER OTHER ATCs CAN BE SUPPLIED AS SPECIAL
- HOSE KITS ARE PRESSURE TESTED AND SHIPPED LOOSE FOR FIELD INSTALL BY OTHERS.

ALL METRIC DIMENSIONS () ARE SOFT CONVERTED. IMPERIAL DIMENSIONS ARE CONVERTED TO METRIC AND ROUNDED TO THE NEAREST MILLIMETER.

PROJECT:		PRICE	
ENGINEER:		DS	RADIANT RADKIT HOSE AND VALVE PACKAGES
CUSTOMER:		248924	
SUBMITTAL DATE:	SPEC. SYMBOL:	2012/10/18	

RADKIT: HOSE AND VALVE PACKAGES

DHAB: DOUBLE HOSE W/ SHUT OFFS AND AUTO BALANCER - UNIT TO HEADER



- | | | |
|---|------------------------------|---|
| ACTUATOR CONTROL (ATC): | LENGTH: | FLOW RATE SELECTION (GPM): |
| <input type="checkbox"/> ON/OFF @ 024 VOLT (024V) | <input type="checkbox"/> 12" | <input type="checkbox"/> 0.50 <input type="checkbox"/> 1.75 <input type="checkbox"/> 3.50 |
| <input type="checkbox"/> ON/OFF @ 120 VOLT (120V) | <input type="checkbox"/> 18" | <input type="checkbox"/> 0.75 <input type="checkbox"/> 2.00 <input type="checkbox"/> 4.00 |
| <input type="checkbox"/> ON/OFF @ 208 VOLT (208V) | <input type="checkbox"/> 24" | <input type="checkbox"/> 1.00 <input type="checkbox"/> 2.50 <input type="checkbox"/> 4.50 |
| <input type="checkbox"/> ON/OFF @ 230 VOLT (230V) | <input type="checkbox"/> 36" | <input type="checkbox"/> 1.50 <input type="checkbox"/> 3.00 <input type="checkbox"/> 5.00 |
| <input type="checkbox"/> ON/OFF @ 277 VOLT (277V) | | |
| <input type="checkbox"/> FLOATING POINT (FLP) | | |
| <input type="checkbox"/> MODULATING (MOD) | | |
| <input type="checkbox"/> NONE | | |

- CONSTRUCTION:**
- BRAIDED STAINLESS STEEL
 - SHUT OFF VALVES
 - 1/2" VALVE BODY
 - SWIVEL CONNECTION TO UNIT/COIL
 - 1/2" FNPT VALVE CONNECTIONS TO TRUNK/HEADER
 - PRESSURE TAPS

- NOTES:**
- ON/OFF ACTUATOR CONTROL ARE SPRING RETURN EQUIPPED.
 - COIL CONNECTIONS ARE FEMALE SWEAT, TRUNK CONNECTIONS ARE FEMALE NPT.
 - ALL VALVES ARE NORMALLY CLOSED (NC), PLEASE CONTACT FACTORY IF NORMALLY OPEN (NO) IS REQUIRED
 - GPM MUST BE SELECTED ON PACKAGES AS CLOSE TO YOUR DESIGN GPM TO ENSURE PROPER CV ON BALANCING VALVE IS RECIEVED
 - BASIC PACKAGES SHIPPED AS SEPERATE COMPONENTS FOR FIELD ASSEMBLY AND INSTALLATION BY OTHERS
 - ATC IS SIEMENS STANDARD, HOWEVER OTHER ATCs CAN BE SUPPLIED AS SPECIAL
 - HOSE KITS ARE PRESSURE TESTED AND SHIPPED LOOSE FOR FIELD INSTALL BY OTHERS.

ALL METRIC DIMENSIONS () ARE SOFT CONVERTED. IMPERIAL DIMENSIONS ARE CONVERTED TO METRIC AND ROUNDED TO THE NEAREST MILLIMETER.

PROJECT:		PRICE
ENGINEER:		
CUSTOMER:		DS
SUBMITTAL DATE:		248924
SPEC. SYMBOL:		2012/10/18
		RADIANT RADKIT HOSE AND VALVE PACKAGES

Solid Edge

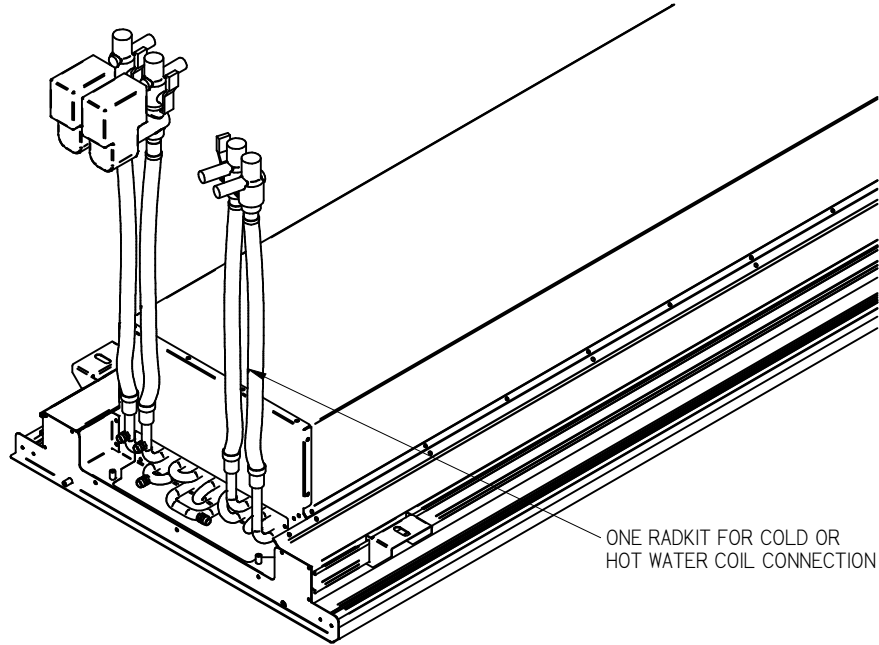
RADKIT: HOSE AND VALVE PACKAGES

FACTORY MOUNTING (AVAILABLE ON DH, DHSO, DHMB AND DHAB):

- FMC - FACTORY MOUNTED ON COLD WATER CONNECTION (CHOOSE THIS FOR 2-PIPE COIL)
- FMH - FACTORY MOUNTED ON HOT WATER CONNECTION

NOTES:

- FACTORY MOUNTED RADKITS ARE CONNECTED AND LEAK TESTED AT THE FACTORY
- CHILLED BEAM MUST BE ORDERED WITH NPT CONNECTIONS
- CONTROL VALVES SHOULD BE MOUNTED ON THE RETURN

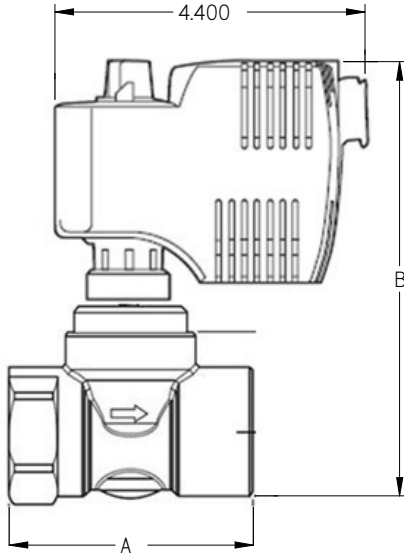


ALL METRIC DIMENSIONS () ARE SOFT CONVERTED. IMPERIAL DIMENSIONS ARE CONVERTED TO METRIC AND ROUNDED TO THE NEAREST MILLIMETER.

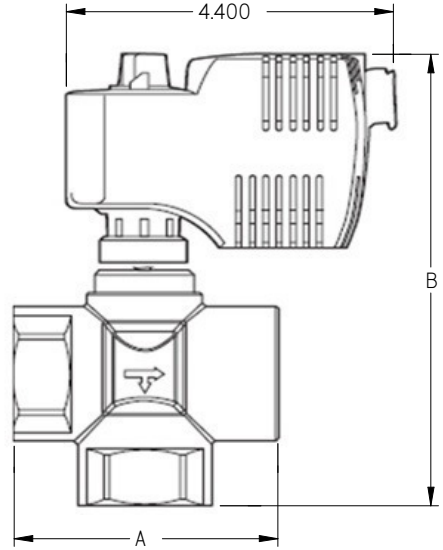
PROJECT:		PRICE [®]	
ENGINEER:		DS	RADIANT RADKIT HOSE AND VALVE PACKAGES
CUSTOMER:		248924	
SUBMITTAL DATE:	SPEC. SYMBOL:	2012/10/18	

RADKIT: HOSE AND VALVE PACKAGES

ATC: AUTOMATIC TEMPERATURE CONTROL VALVE



2-Way



3-Way

ACTUATOR CONTROL (ATC):

- ON/OFF @ 024 VOLT (024V)
- ON/OFF @ 120 VOLT (120V)
- MODULATING (MOD) (0-10 Vdc)
- NONE

Cv FLOWRATE:

- (GPM @ 1 PSI)
- 1.0
- 2.5

2-WAY VALVE BODY:

- 1/2" SWEAT (A=2.660 AND B=4.980)
- 1/2" NPT (A=2.760 AND B=5.130)

3-WAY VALVE BODY:

- 1/2" SWEAT (A=2.660 AND B=5.760)
- 1/2" NPT (A=2.760 AND B=5.840)

CONSTRUCTION:

- 1/2" BRASS VALVE BODY
- ON/OFF ACTUATORS ARE NORMALLY CLOSED (NC) SPRING RETURN

ALL METRIC DIMENSIONS () ARE SOFT CONVERTED. IMPERIAL DIMENSIONS ARE CONVERTED TO METRIC AND ROUNDED TO THE NEAREST MILLIMETER.

PROJECT:		PRICE
ENGINEER:		
CUSTOMER:		DS
SUBMITTAL DATE:		248924
SPEC. SYMBOL:		2012/10/18
RADIANT RADKIT HOSE AND VALVE PACKAGES		